



# MICROPlumb® PRODUCTS Electronic Prison Flushometer

# ROYAL 603-ESM

## ► Description

Concealed electronic operated water closet Flushometer, for stainless steel combination fixtures. For use with: Acorn® • Bradley® • Metcraft® (Series 3000) • Willoughby® and similar fixtures.

## ► Flush Cycle

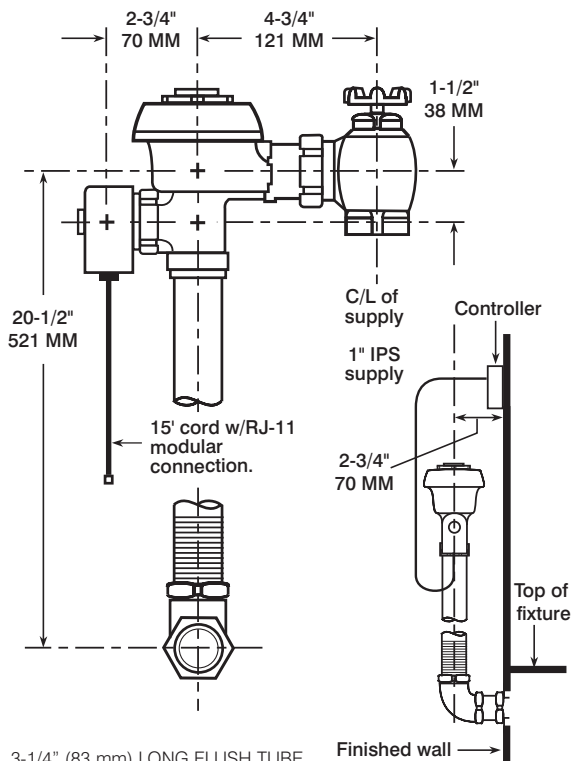
- Model 603-ESM Water Saver (3.5 gpf/13.2 Lpf)
- Model 603-ESM-1.6 Low Consumption (1.6 gpf/6.0 Lpf)

## ► Specifications

- Concealed electronic operated, diaphragm type, rough brass closet Flushometer
- 24 VAC 50/60 Hz non-hold-open integral solenoid operator
- No external volume adjustment to ensure water conservation
- 15' cord w/RJ-11 connection
- Dual filtered bypass diaphragm
- Diaphragm, stop seat and vacuum breaker sack made from Permex® rubber compound for chloramines resistance
- 1" I.P.S. Wheel handle Bak-Check® angle stop
- Adjustable tailpiece
- High back pressure vacuum breaker
- Elbow flush connection and coupling for 1-1/2" NPT back inlet (for connection in pipe chase-flush tube through wall not provided by Programmed Water Technologies)
- Sweat solder adapter

## ► Accessories

Specify wall thickness for proper length of flush connection for china fixtures. A 3-1/4" flush connection is supplied for stainless steel fixtures.



3-1/4" (83 mm) LONG FLUSH TUBE FOR CONNECTION BEHIND WALL. CONNECTION THROUGH WALL NOT SUPPLIED BY PWT ON STAINLESS STEEL FIXTURES.

This space for Architect/Engineer approval

The information contained in this document is subject to change without notice.



10500 Seymour Avenue • Franklin Park, Illinois 60131-1259  
Phone 800-671-6970 • Fax 847-671-6944