

# MICROPlumb® PRODUCTS Retrofit Valve Conversion

# MCR 250-A-1



## ► Description

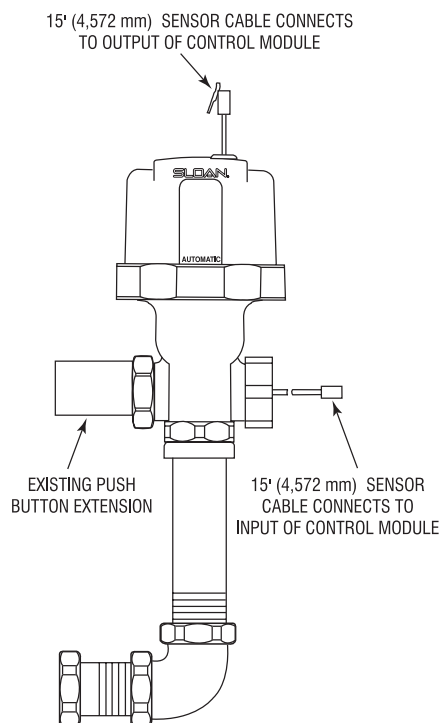
Electronic-operated, low consumption (1.6 gpf/6.0 Lpf) water closet Flushometer for retrofit of manual handle-operated Flushometer with diaphragm guide, cover and switch kit.

## ► Specifications

- Exposed electronic operated, diaphragm-type Flushometer
- Telephone cable, 180 inches, with 4 conductors, 26 AWG stranded wire
- 3-position dip switch for gpf delivery volume
- Dual-filtered bypass diaphragm
- Permex® rubber diaphragm
- Output from PWT MICROPlumb® controller
- MCR-242-A Cover Kit
- MCR-243-A Switch Kit
- Diaphragm Guide

## ► Variations

- MCR-250-A-2, 2.4 gpf/9.08 Lpf Water Closet
- MCR-250-A-3, 3.5 gpf/13.2 Lpf Urinal
- MCR-250-A-4, 1.0 gpf/3.8 Lpf Urinal



This space for Architect/Engineer approval

The information contained in this document is subject to change without notice.

**PWT** PROGRAMMED WATER  
TECHNOLOGIES  
A SLOAN VALVE COMPANY