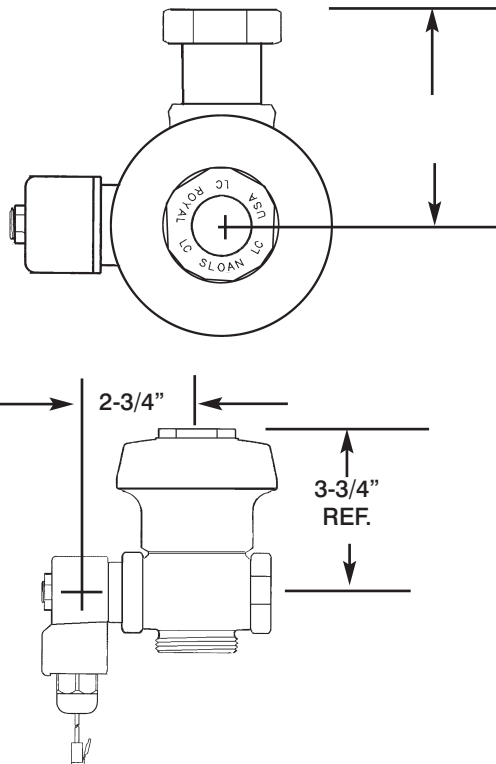


**MICROPlumb®
PRODUCTS
Retrofit
Flushometer
Assemblies**

**MCR 270
1.6-MOD64**



- ▶ **Description**
Concealed electronic operated water closet Flushometer for retrofit of manual, handle-operated Flushometer.
- ▶ **Model Number/Flush Cycle**
Model MCR-270-MOD64 Low Consumption (1.6 gpf/6.0 Lpf)
- ▶ **Specifications**
 - Concealed electronic operated, diaphragm type, rough brass closet Flushometer
 - 24 VAC 50/60 Hz solenoid operator
 - 15' cord w/RJ-11 connection
 - Solenoid operator is reversible (can be located right or left of water supply)
 - Dual filtered Permex® bypass diaphragm
 - V-651-A Vac. Breaker repair kit
 - S-21 Gasket
- ▶ **Variations**
 - AG Ground Joint Connection



This space for Architect/Engineer approval

The information contained in this document is subject to change without notice.

